

TECHNICAL BROCHURE





WHAT WE DO

Here at Audio, we specialize in manufacture of windshields for microphones. If you own a radio station, work for a tv station, have an event coming up or broadcast via Internet, then you have a chance to make it more recognizable and look even more professional!

HOW THINGS WORK

From concept to reality - we offer 'start-to-finish' solution, and all that in-house in 7 simple steps:

- DESIGN
- QUOTATION
- PRODUCTION
- PRINTING
- QUALITY CONTROL
- SHIPPING

HOW IT WORKS?

ASK FOR A QUOTE

Fill out a form on our website or drop us an email asking for a quote. What we need to know is: microphone model (or **external dimensions of the mic's barrel/capsule**), quantity (quantity affects the unit price), preferred windshield colour (Pantone® reference recommended) and/or logo files if you wish for printed windshields

(logo formats we accept: .ai, .eps, .pdf, .cdr or a high resolution .jpg or .bmp).

RECEIVE PREVIEW


Once we collect all information to proceed with the design we will prepare and send you a few files with preview of what you asked for. It usually takes up to few hours.

CHOOSE WHAT YOU LIKE

If you like what you see, just approve the desired file and let us know!

LET THE PRODUCTION BEGIN

When we receive approval from you the magic begins. It usually takes 3 weeks for the order to be complete and shipped to you. If you are in a rush, let us know while enquiring and depending on the stock, production schedule etc. we can ship the order out within a week.



About Us

WHAT WE OFFER

WINDSHIELD SHAPES

We offer spherical, cylindrical, 3-sided or 4-sided windshields with variety of dimensions to suit all needs. If you have any special requirements we can make a custom made windshield just for you!

WINDSHIELD COLOUR

If you want printed windshields, send us your logo first to help choose a colour that suits it best, otherwise just let us know of your needs. Pantone reference strongly advised.

WINDSHIELD COLOUR FINISH

We offer windshields in two cover finishes: raw foam finish (we stock six basic foam colours - black, white, red, blue, green, yellow) and flocked finish (brushed velvet finish matched to the provided Pantone® reference).

PRINT FINISHES

You can choose one of three different print types: up to 4 colour cutflock (velour finish, wide choice of solid colours), full colour sublimation print, or a mix of cutflock and sublimation.

DECIPHER OUR WINDSHILED CODE

C	21	01
S	12	03
windshiled shape	windshiled model	hole size

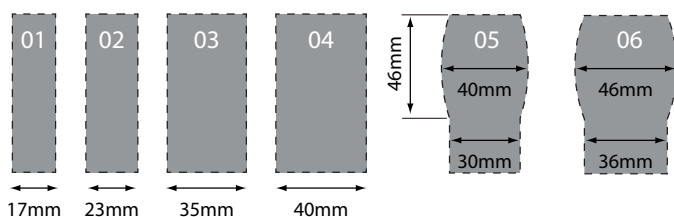
- T - triangular
- C - cylindrical
- S - square

AVAILABLE HOLE SIZES

*custom hole sizes by request

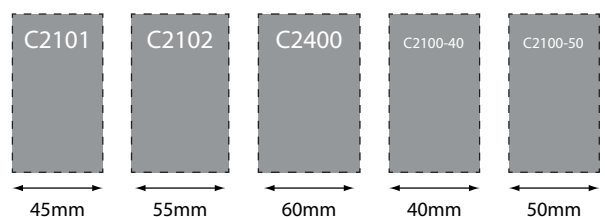
Reporter range holze sizes

- 01 hole size Ø 17mm
- 02 hole size Ø 23mm
- 03 hole size Ø 35mm
- 04 hole size Ø 40mm
- 05 Ø30 to 40mm contoured hole
- 06 Ø36 to 46mm contoured hole



Studio range holze sizes

- C2101 - Ø 45mm
- C2102 - Ø 55mm
- C2400 - Ø 60mm
- C2100-40 - Ø 40mm
- C2100-50 - Ø 50mm



HANDHELD REPORTER STYLE

C1100

Dimensions

90mm (W) x 90 (H)

Available Bore dia

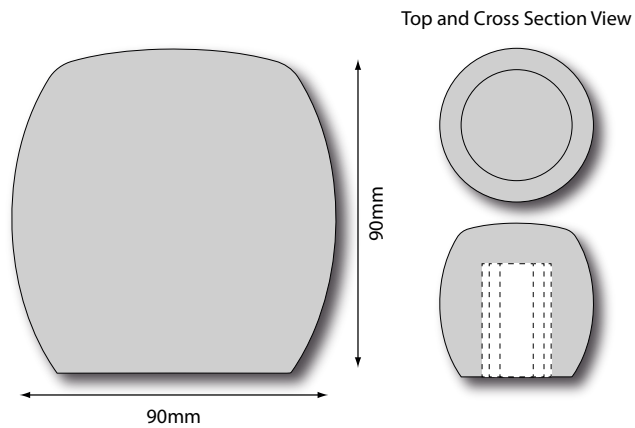
17mm/23mm/30mm/35mm/40mm

Special Bores

Rode Go

30/40 Contoured bore

36/46 Contoured bore



C1200

Dimensions

80mm (W) x 80 (H)

Available Bore dia

17mm/23mm/30mm/35mm/40mm

Special Bores

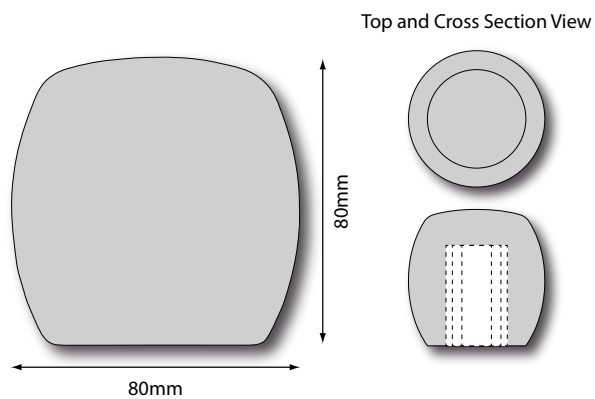
Rode Go

30/40 Contoured bore

36/46 Contoured bore

Recommended

Use with Rode Go



C1300

Dimensions

70mm (W) x 90 (H)

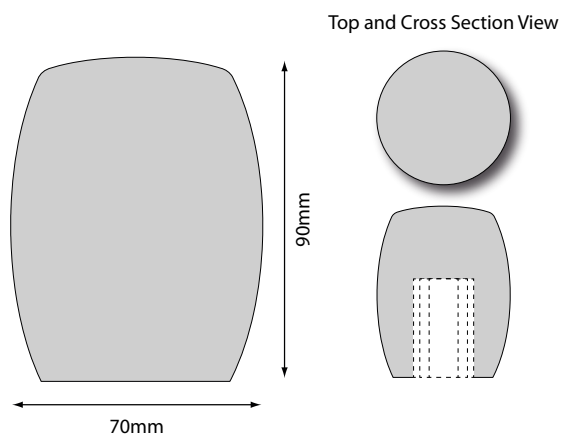
Available Bore dia

17mm/23mm/30mm/35mm/40mm

Special Bores

30/40 Contoured bore

36/46 Contoured bore



HANDHELD REPORTER STYLE

C1400

Dimensions

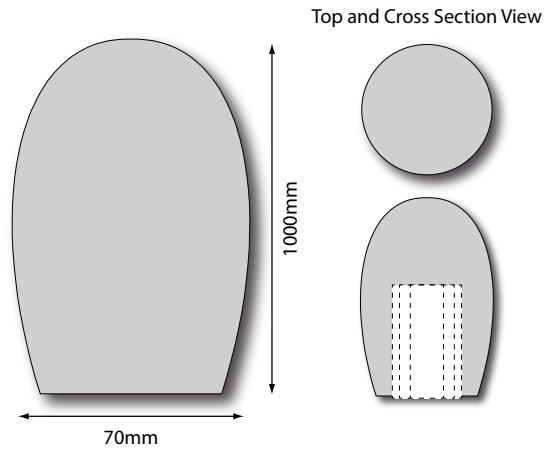
70mm (W) x 100 (H)

Available Bore dia

17mm/23mm/30mm/35mm

Special Bores

30/40 Contoured bore



C1500

Dimensions

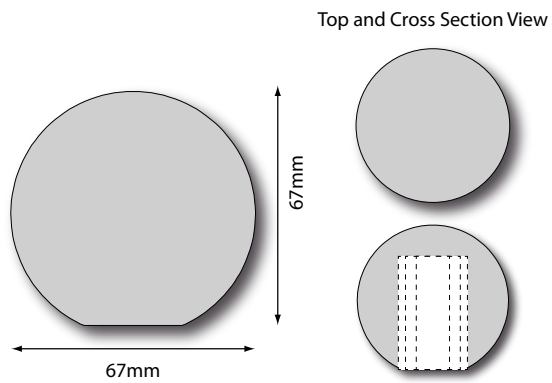
67mm (W) x 67 (H)

Available Bore dia

17mm/23mm/30mm/35mm/40mm

Special Bores

30/40 Contoured bore



C1600

Dimensions

70mm (W) x 95 (H)

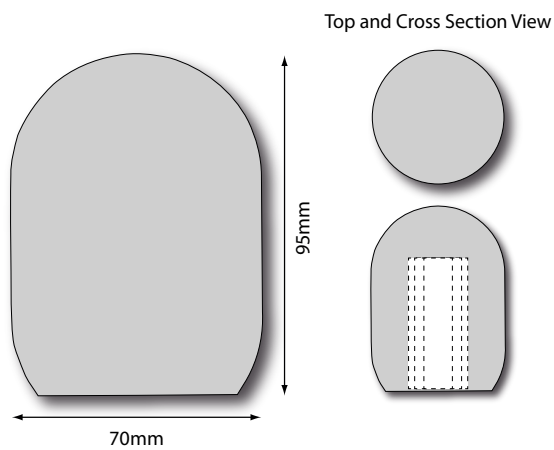
Available Bore dia

17mm/23mm/30mm/35mm/40mm

Special Bores

30/40 Contoured bore

36/46 Contoured bore



HANDHELD REPORTER STYLE

C1800

Dimensions

70mm (W) x 100 (H)

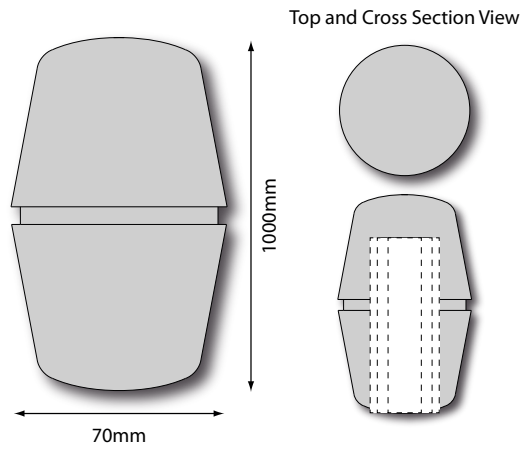
Available Bore dia

17mm/23mm/30mm/35mm

Special Bores

30/40 Contoured bore

36/46 Contoured bore



C1900

Dimensions

70mm (W) x 67 (H)

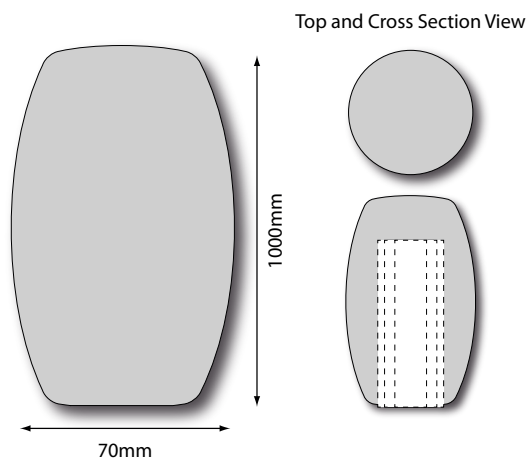
Available Bore dia

17mm/23mm/30mm/35mm/40mm

Special Bores

30/40 Contoured bore

36/46 Contoured bore



90sph

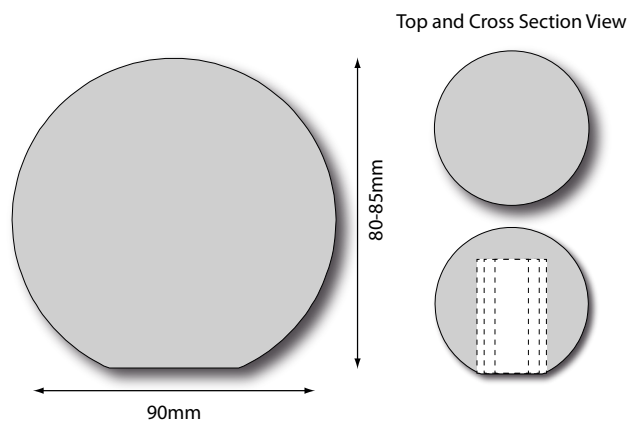
Dimensions

90mm (W) x 80-85 (H)

Available Bore dia

17mm/23mm/30mm/35mm/40mm

Special Bores



HANDHELD REPORTER STYLE

C4100

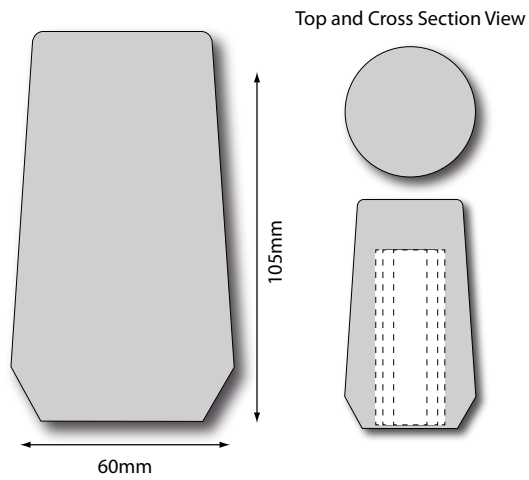
Dimensions

60mm (W) x 105 (H)

Available Bore dia

17mm/23mm/30mm/35mm

Special Bores



C4200

Dimensions

80mm (W) x 115 (H)

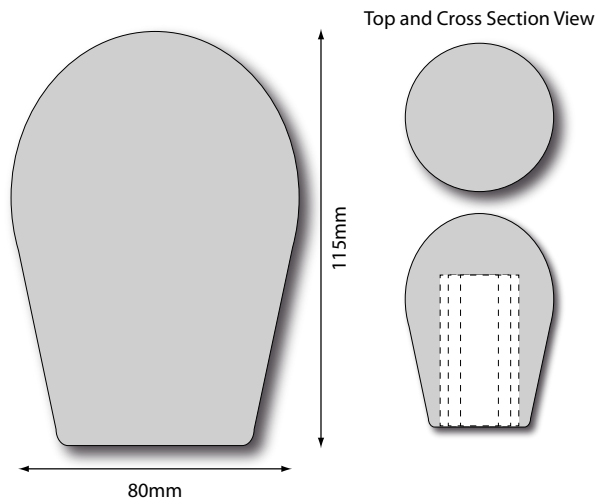
Available Bore dia

17mm/23mm/30mm/35mm/40mm

Special Bores

30/40 Contoured bore

36/46 Contoured bore



C4300

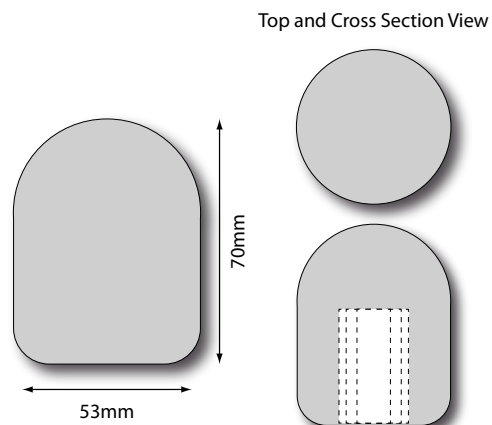
Dimensions

53mm (W) x 70 (H)

Available Bore dia

17mm/23mm/30mm

Special Bores



HANDHELD REPORTER STYLE

C4400

Dimensions

80mm (W) x 90 (H)

Available Bore dia

17mm/23mm/30mm/35mm/40mm

Special Bores

Rode Go

30/40 Contoured bore

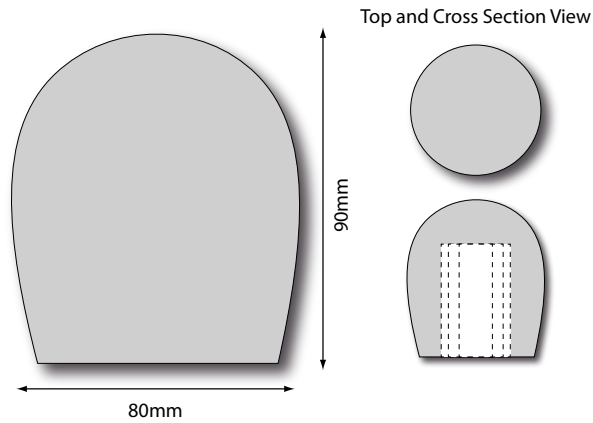
36/46 Contoured bore

Recommended

Use with Rode Go

Special Models

C44spt with triangular flag attached



C4500

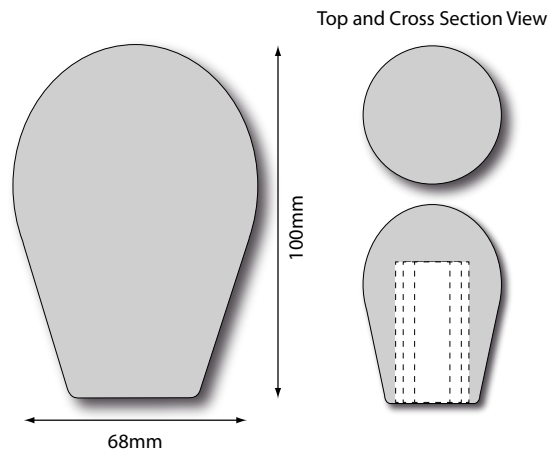
Dimensions

68mm (W) x 100 (H)

Available Bore dia

17mm/23mm/30mm

Special Bores



C4600

Dimensions

90mm (W) x 105 (H)

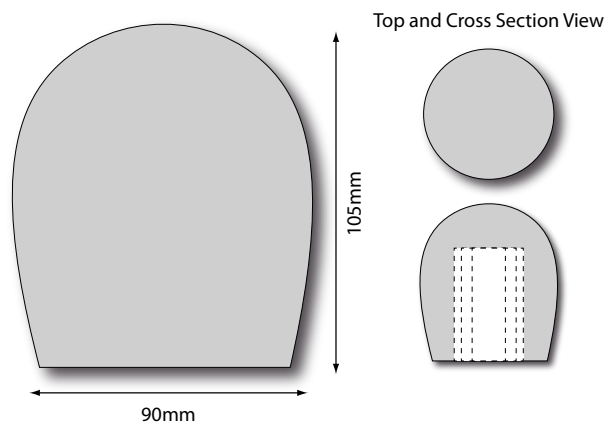
Available Bore dia

17mm/23mm/30mm

Special Bores

30/40 Contoured bore

36/46 Contoured bore



HANDHELD REPORTER STYLE

C4700

Dimensions

80mm (W) x 100 (H)

Available Bore dia

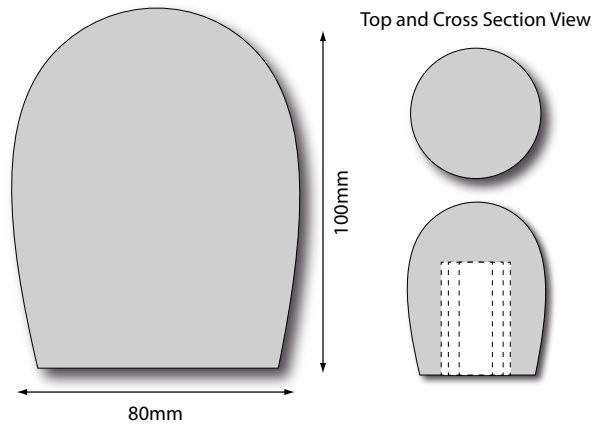
17mm/23mm/30mm/35mm/40mm

Special Bores

Rode Go / Contoured bore

Recommended

Use with Rode Go



C4800

Dimensions

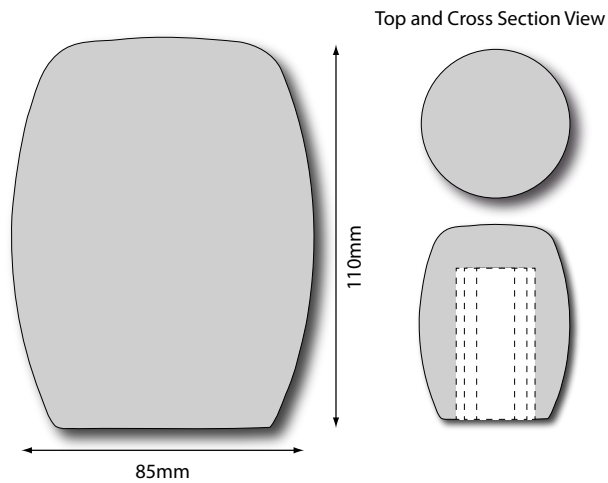
85mm (W) x 110 (H)

Available Bore dia

17mm/23mm/30mm/35mm/40mm

Special Bores

Rode Go / Contoured bore



C5300

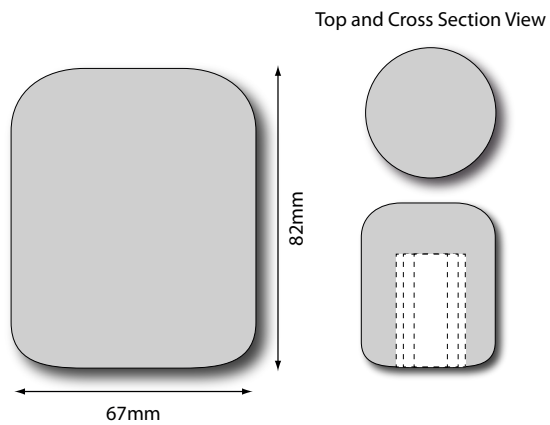
Dimensions

67mm (W) x 82 (H)

Available Bore dia

17mm/23mm/30mm

Special Bores



HANDHELD REPORTER STYLE

C5400

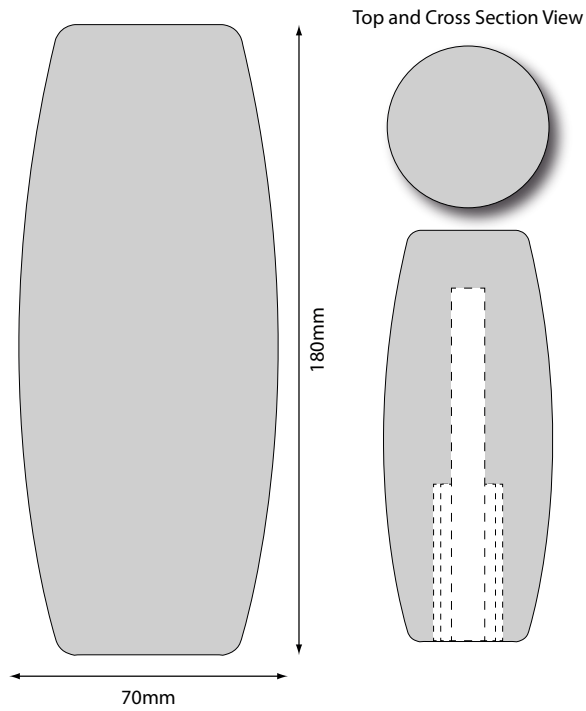
Dimensions

70mm (W) x 180 (H)

Available Bore dia

17mm/23mm/30mm/35mm/40mm

Special Bores



C5500

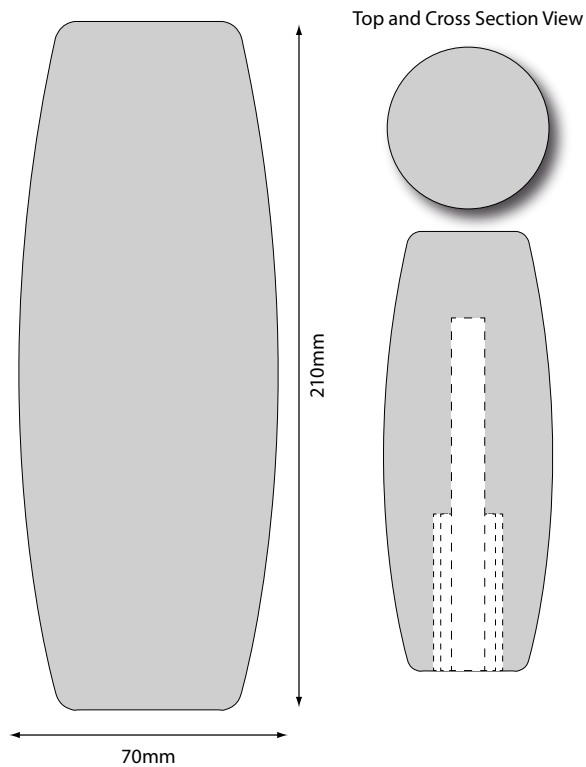
Dimensions

70mm (W) x 210 (H)

Available Bore dia

17mm/23mm/30mm/35mm/40mm

Special Bores



HANDHELD REPORTER STYLE

T1100

Dimensions

83mm (W) x 92 (H)

Available Bore dia

17mm/23mm/30mm/35mm/40mm

Special Bores

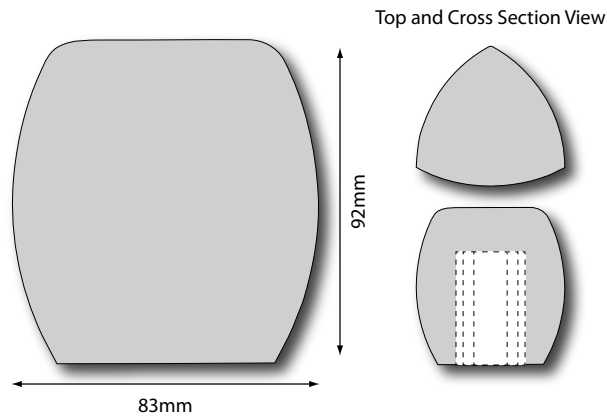
Rode Go

30/40 Contoured bore

36/46 Contoured bore

Special Models

T1100 Large 90x100mm



T1200

Dimensions

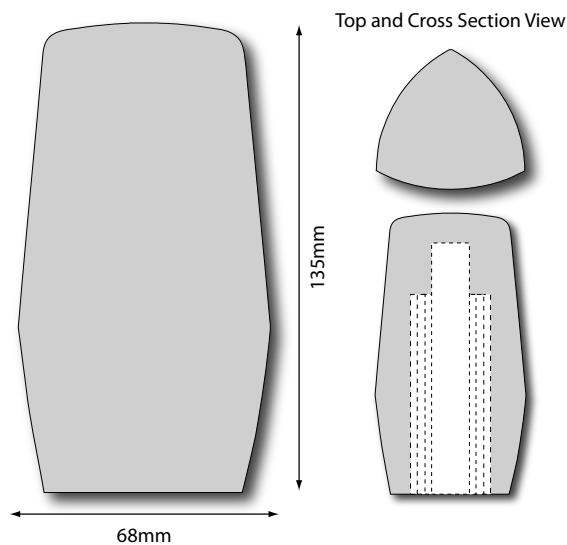
70mm (W) x 135 (H)

Available Bore dia

17mm/23mm/30mm/35mm/40mm

Comments

Not advised for use with larger head microphones such as Shure SM58 or similar



T1300

Dimensions

85mm (W) x 90 (H)

Available Bore dia

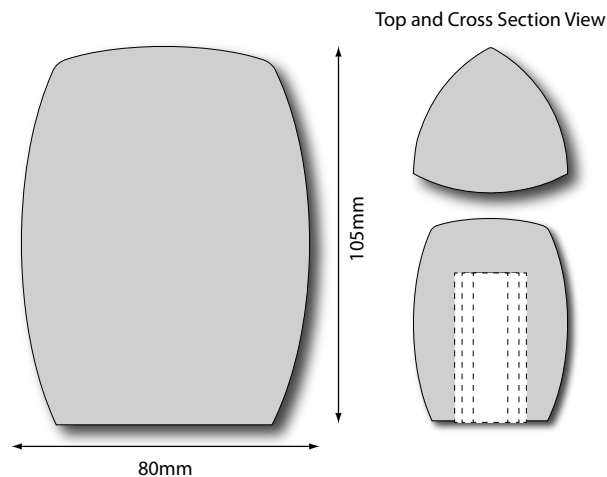
17mm/23mm/30mm/35mm/40mm

Special Bores

Rode Go

30/40 Contoured bore

36/46 Contoured bore



HANDHELD REPORTER STYLE

T1400

Dimensions

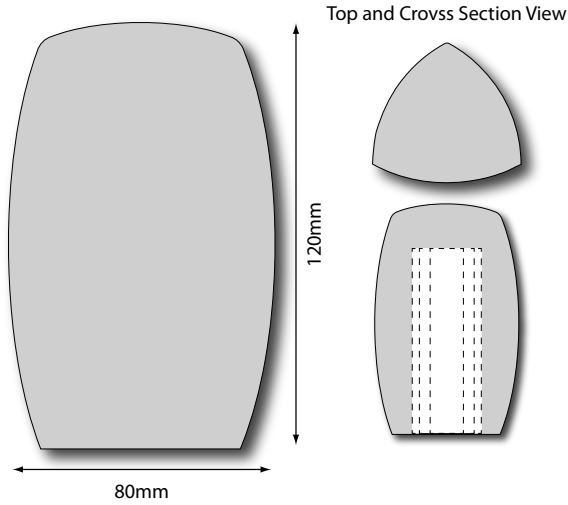
80mm (W) x 120mm (H)

Available Bore dia

17mm/23mm/30mm/35mm/40mm

Special Bores

30/40 Contoured bore
36/46 Contoured bore



T1500

Dimensions

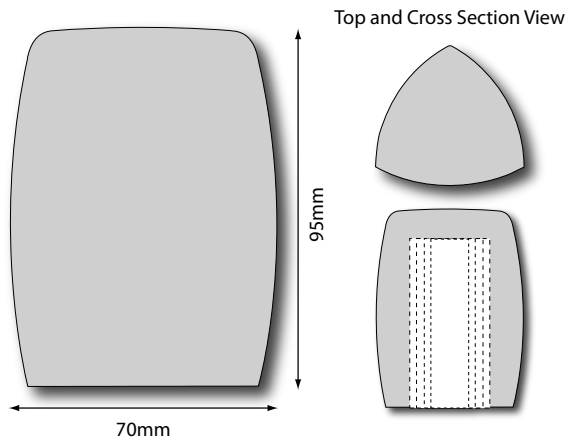
70mm (W) x 95mm (H)

Available Bore dia

17mm/23mm/30mm/35mm/40mm

Comments

Not advised for use with larger head microphones such as Shure SM58 or similar



T1600

Dimensions

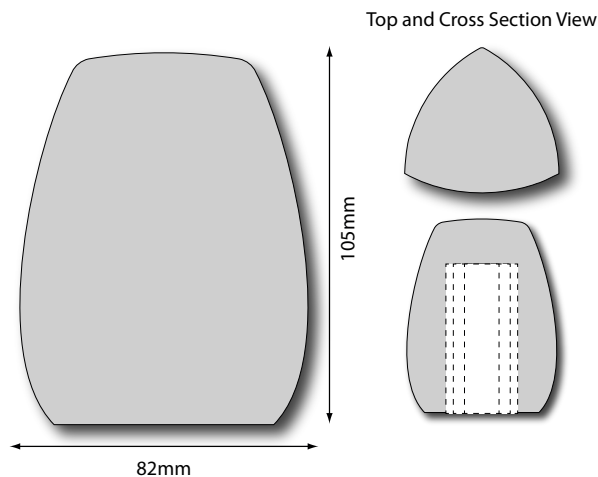
82mm (W) x 105mm (H)

Available Bore dia

17mm/23mm/30mm/35mm/40mm

Special Bores

30/40 Contoured bore
36/46 Contoured bore



HANDHELD REPORTER STYLE

T2110

Dimensions

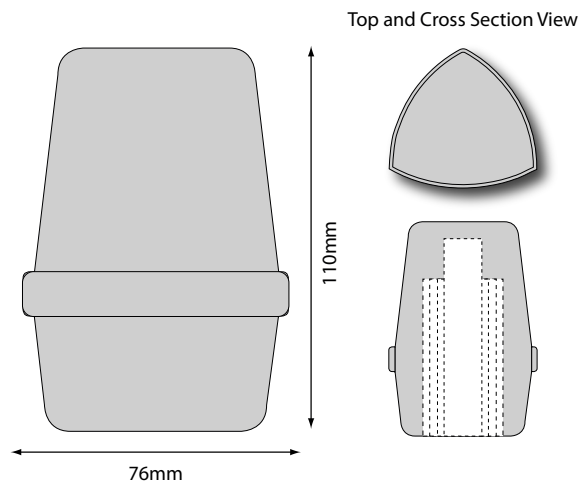
76mm (W) x 110 (H)

Available Bore dia

17mm/23mm/30mm/35mm/40mm

Special Bores

30/40 Contoured bore



T2210

Dimensions

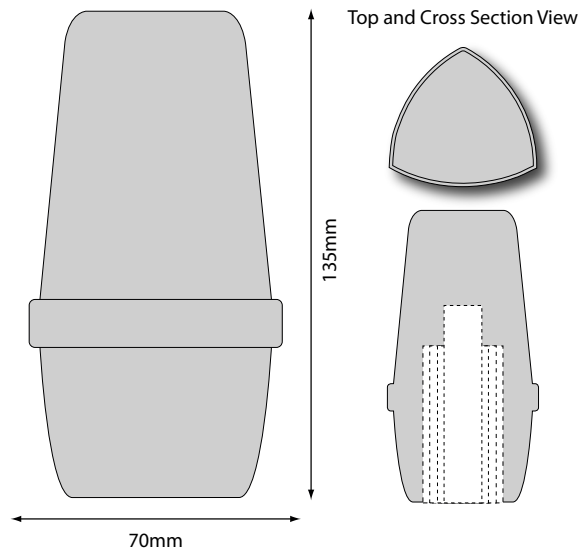
70mm (W) x 135 (H)

Available Bore dia

17mm/23mm/30mm/35mm/40mm

Special Bores

30/40 Contoured bore



T2310

Dimensions

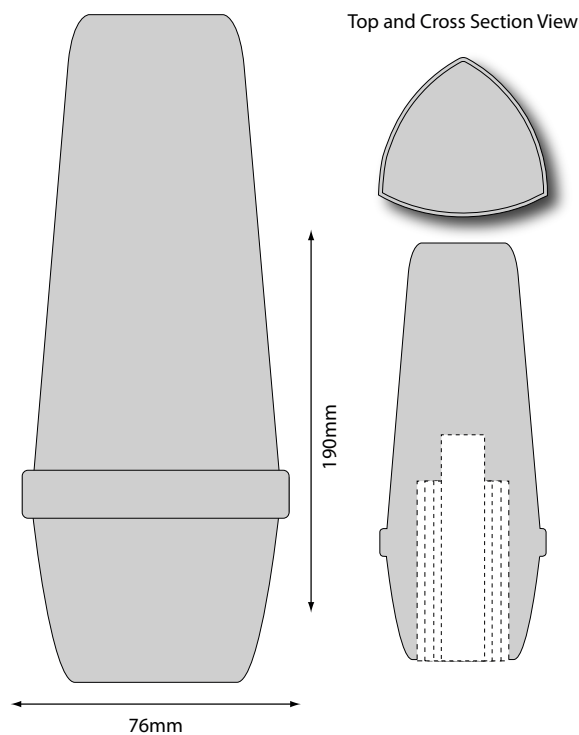
76mm (W) x 190 (H)

Available Bore dia

17mm/23mm/30mm/35mm/40mm

Special Bores

30/40 Contoured bore



HANDHELD REPORTER STYLE

S1100

Dimensions

75mm (W) x 103 (H)
Face width 62mm

Available Bore dia

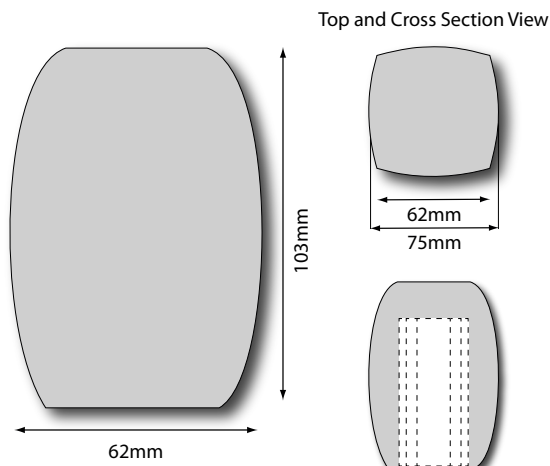
17mm/23mm/30mm/35mm/40mm

Special Bores

Rode Go
30/40 contoured bore
36/46 contoured bore

Special Models

S1100 Large 70x110mm
S11sps with square flag attached



S1200

Dimensions

75mm (W) x 120 (H)
Face width 65mm

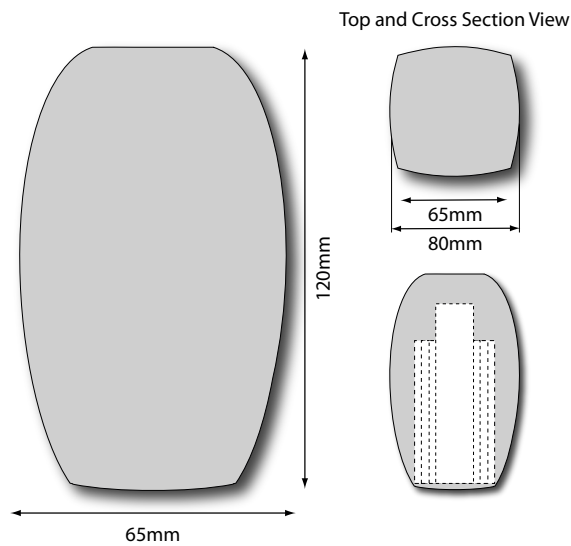
Available Bore dia

17mm/23mm/30mm/35mm/40mm

Special Bores

30/40 contoured bore
36/46 contoured bore

Special Models



S1300

Dimensions

80mm (W) x 120 (H)
Face width 70mm

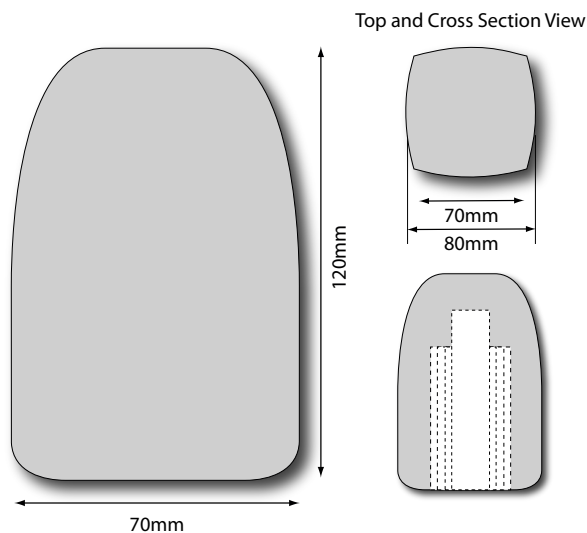
Available Bore dia

17mm/23mm/30mm/35mm/40mm

Special Bores

30/40 contoured bore
36/46 contoured bore

Special Models



HANDHELD REPORTER STYLE

S1400

Dimensions

80mm (W) x 80mm (H)

Available Bore dia

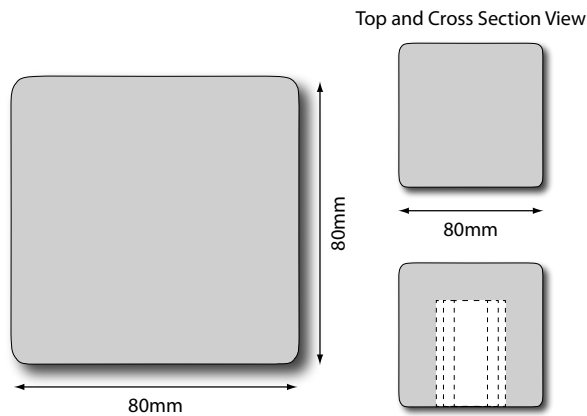
17mm/23mm/30mm/35mm/40mm

Special Bores

Rode Go
30/40 contoured bore
36/46 contoured bore

Special Models

S1400 special 80x120 or 150mm



S1500

Dimensions

64mm (W) x 88 (H)
Face width 52mm

Available Bore dia

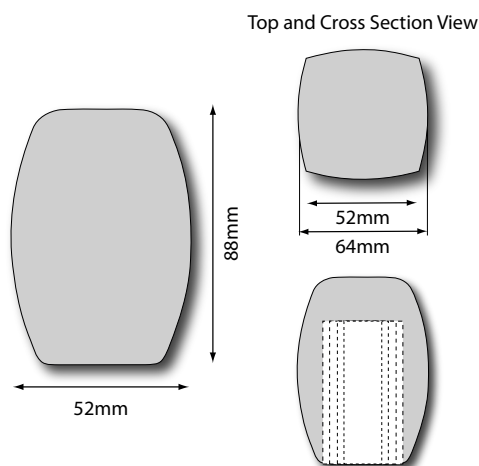
17mm/23mm/30mm/35mm/40mm

Special Bores

30/40 contoured bore
36/46 contoured bore

Comments

Not recommended for larger diameter microphones



S1600

Dimensions

78mm (W) x 105 (H)
Face width 68mm

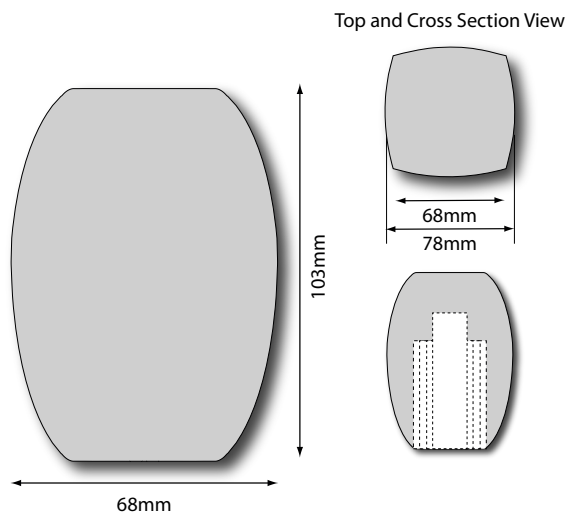
Available Bore dia

17mm/23mm/30mm/35mm/40mm

Special Bores

30/40 contoured bore
36/46 contoured bore

Special Models



HANDHELD REPORTER STYLE

S1700

Dimensions

70mm (W) x 90mm (H)
Face width 60mm

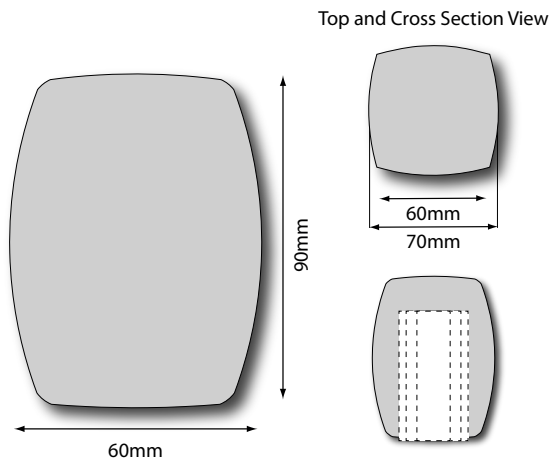
Available Bore dia

17mm/23mm/30mm/35mm/40mm

Special Bores

30/40 contoured bore
36/46 contoured bore

Comments



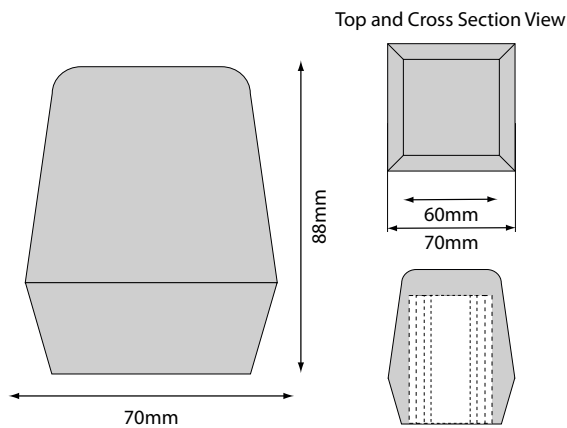
S1800

Dimensions

70mm (W) x 88mm (H)

Available Bore dia

17mm/23mm/30mm/35mm/40mm



S1900

Dimensions

80mm (W) x 105mm (H)
Face width 65mm

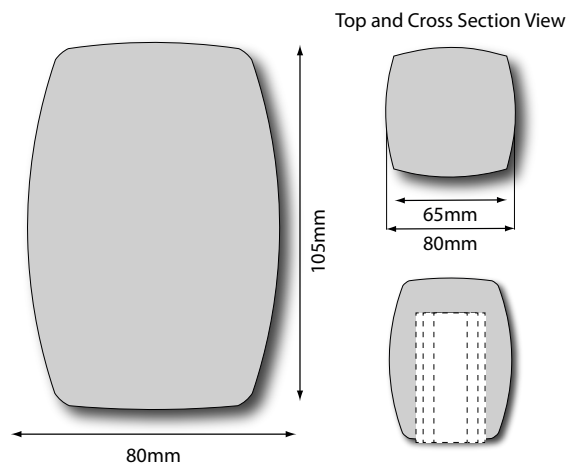
Available Bore dia

17mm/23mm/30mm/35mm/40mm

Special Bores

30/40 contoured bore
36/46 contoured bore

Comments



HANDHELD REPORTER STYLE

S2100

Dimensions

90mm (W) x 90mm (H)
face width 75mm

Available Bore dia

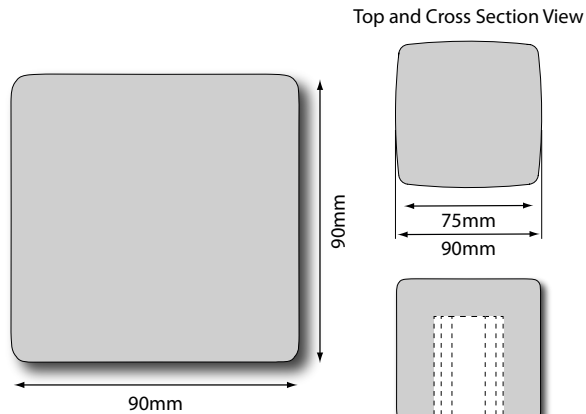
17mm/23mm/30mm/35mm/40mm

Special Bores

30/40 contoured bore
36/46 contoured bore

Comments

Similar shape to S1400 with rounded faces



S2200

Dimensions

90mm (W) x 120mm (H)
face width 75mm

Available Bore dia

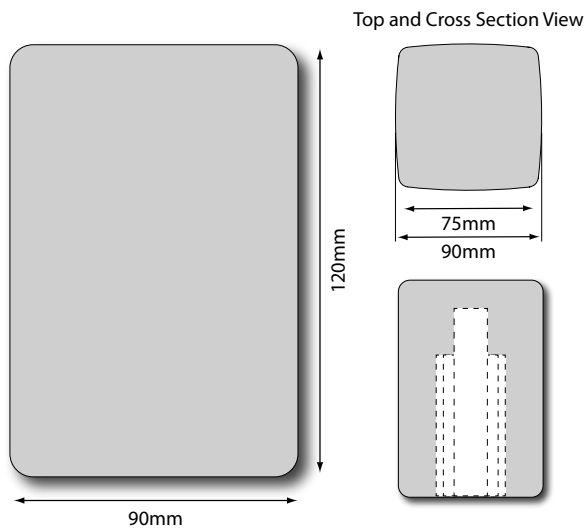
17mm/23mm/30mm/35mm/40mm

Special Bores

30/40 contoured bore
36/46 contoured bore

Comments

Similar shape to S1400 with rounded faces



HANDHELD REPORTER STYLE

T13spt

Dimensions

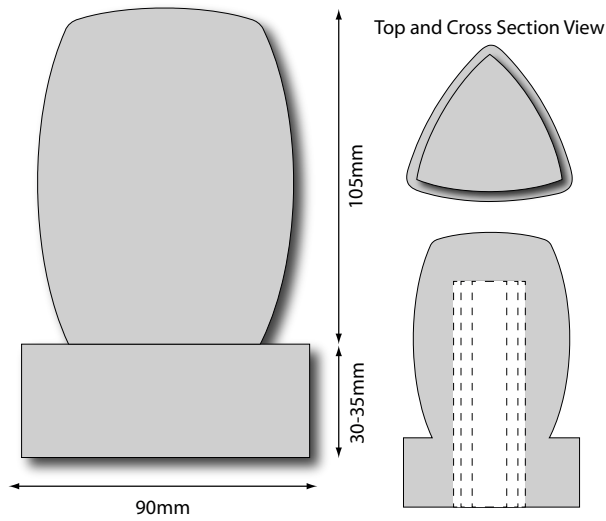
Windshield 85mm (W) x 105mm (H)
Flag 95mm (W) x 30-35mm (H)

Available Bore dia

17mm/23mm/30mm/35mm/40mm

Comments

Not recommended for larger diameter microphones



S11sps

Dimensions

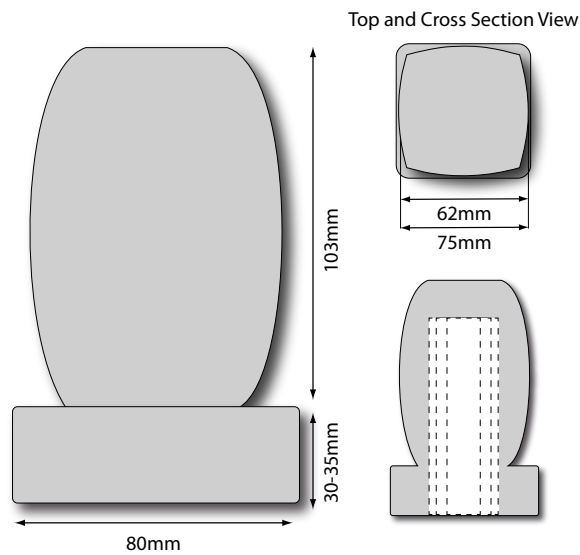
Windshield 75mm (W) x 103mm (H)
Face width 62mm
Flag 80mm (W) x 30-35mm (H)

Available Bore dia

17mm/23mm/30mm/35mm/40mm

Comments

Not recommended for larger diameter microphones



C44spt

Dimensions

Windshield 80mm (W) x 90mm (H)
Flag 95mm (W) x 30-35mm (H)

Available Bore dia

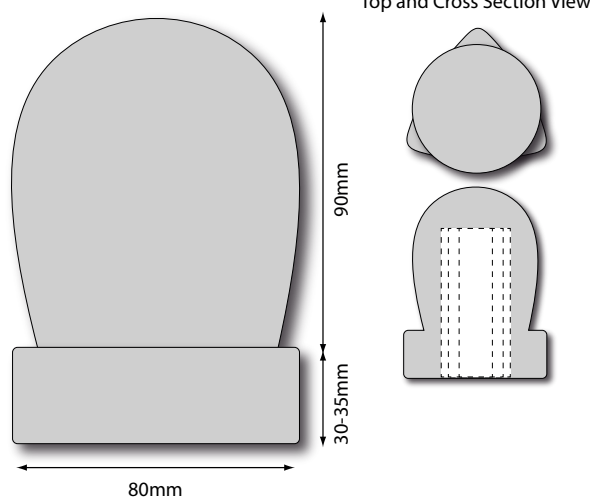
17mm/23mm/30mm/35mm/40mm

Special Bores

Rode Go / Contoured bore

Comments

Not recommended for larger diameter microphones



STUDIO STYLE

C2100

Dimensions

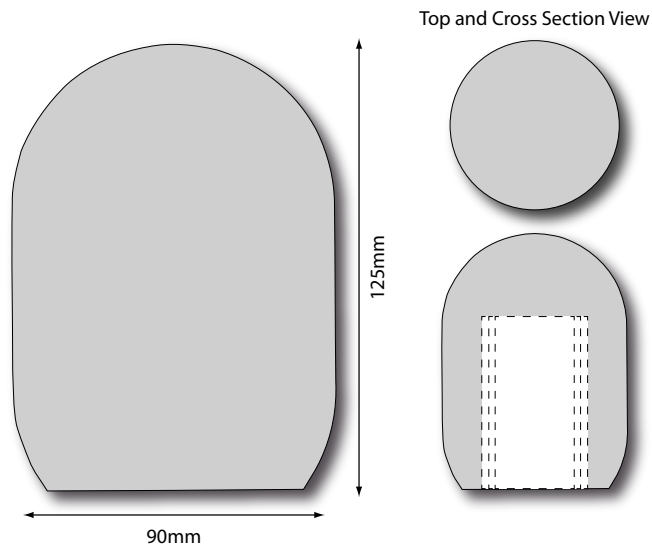
90mm (W) x 125 (H)

Available Bore dia

40mm/45mm/50mm/55mm

Special Bores

Stepped hole for Shure SM7



C2200

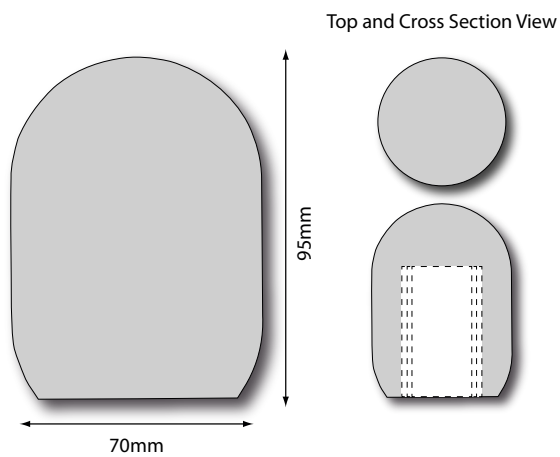
Dimensions

70mm (W) x 95 (H)

Available Bore dia

40mm/45mm

Special Bores



C2300

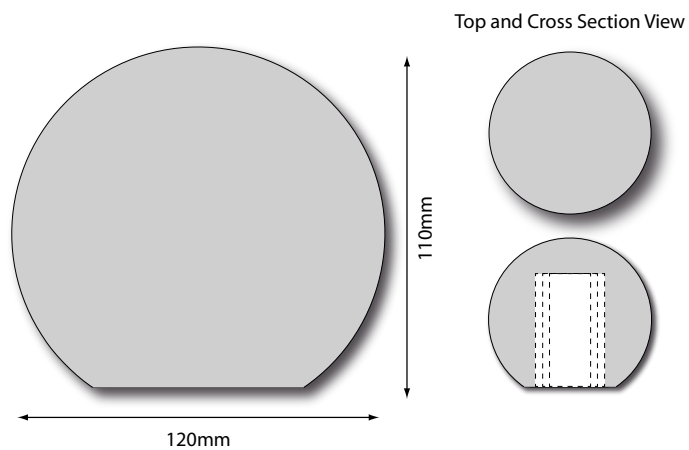
Dimensions

120mm (W) x 110 (H)

Available Bore dia

45mm/55mm/60mm

Special Bores



STUDIO STYLE

C2400

Dimensions

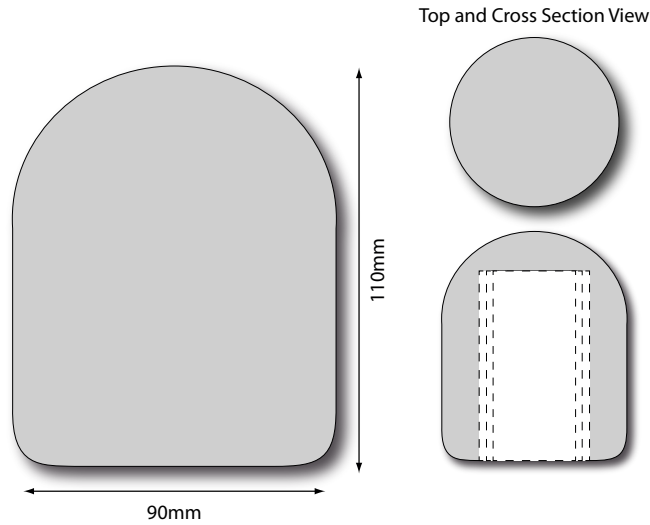
90mm (W) x 110mm (H)

Available Bore dia

45mm/50mm/55mm/60mm

Comments

Ideal for larger diameter condenser microphones



T2400

Dimensions

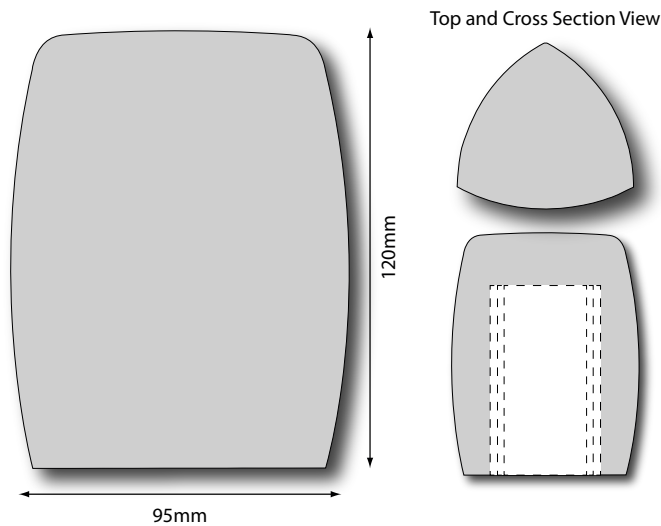
95mm (W) x 120mm (H)

Available Bore dia

45mm/50mm/55mm

Comments

Ideal for larger diameter condenser microphones



C2500

Dimensions

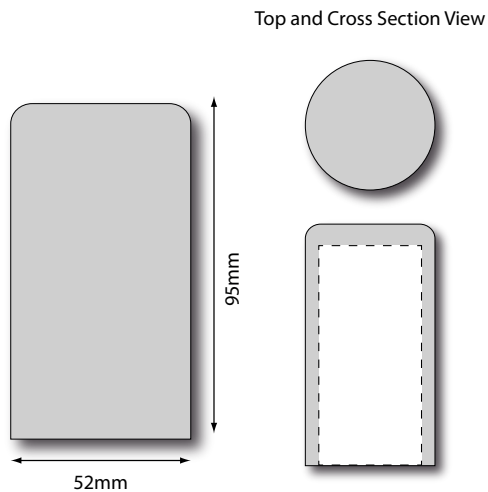
52mm (W) x 95mm (H)

Available Bore dia

40mm

Comments

Shure SM7 dedicated windshield



STUDIO STYLE

C2600

Dimensions

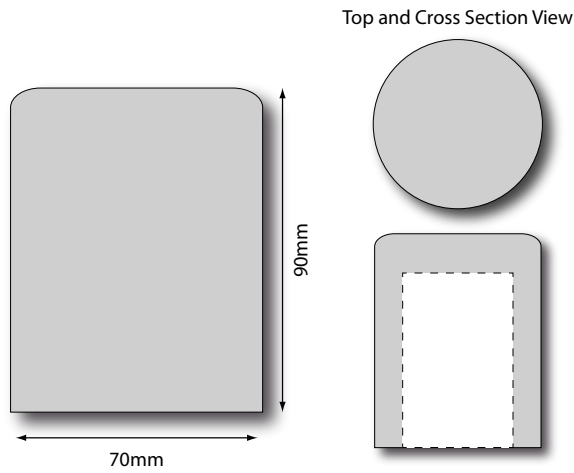
70mm (W) x 90mm (H)

Available Bore dia

55mm

Comments

Rode Podmic dedicated windshield



C2700

Dimensions

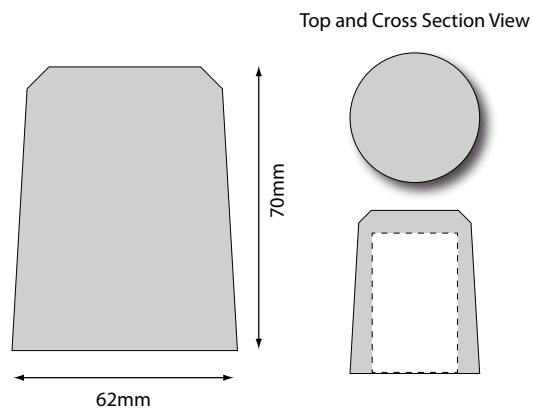
62mm (W) x 70mm (H)

Available Bore dia

40mm

Comments

Shure MV7 dedicated windshield



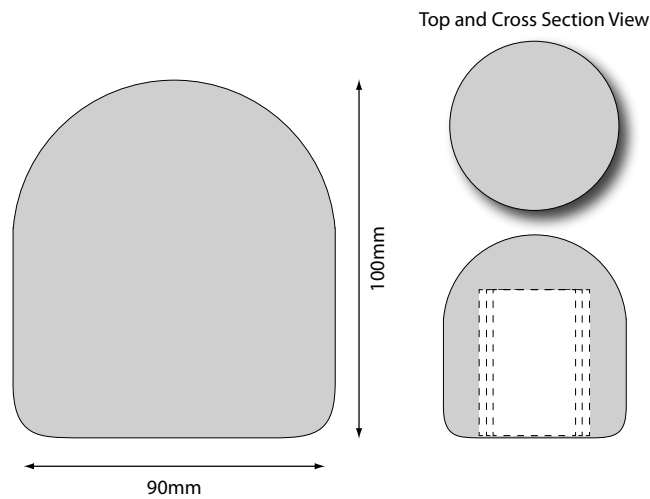
C2800

Dimensions

90mm (W) x 100mm (H)

Available Bore dia

40/45/50/55 x 80mm



STUDIO STYLE

90sph C-LIP

Dimensions

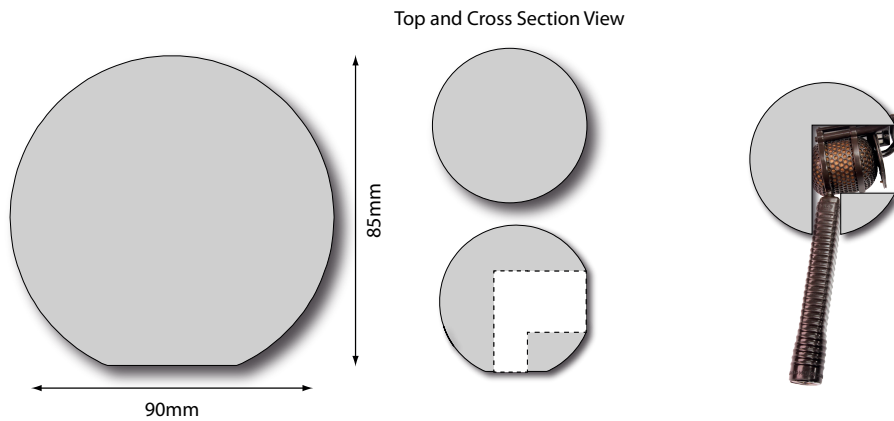
90mm (W) x 85 (H)

Available Bore dia

head bore 40mm
handle bore 20mm

Comments

Coles Lip Microphone



C6100

Dimensions

70mm (W) x 70mm (H)

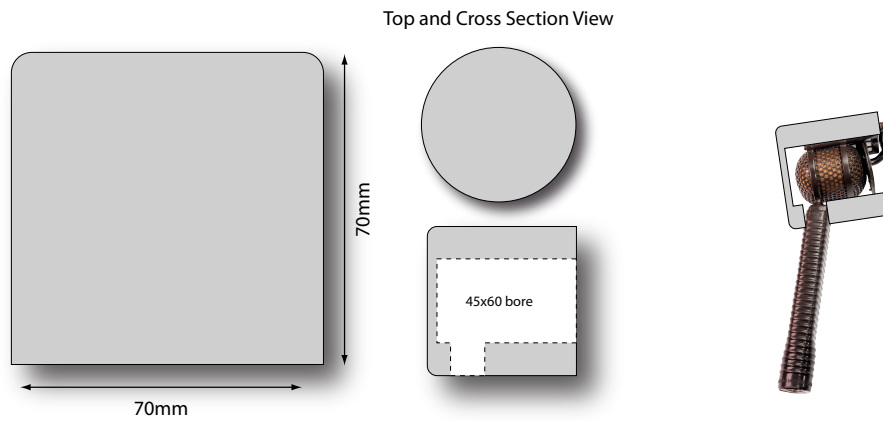
Available Bore dia

head bore 40mm
handle bore 20mm

Comments

Coles Lip Microphone

Branding on 1,2 or 3 sides



SHOTGUN STYLE

C3100

Dimensions

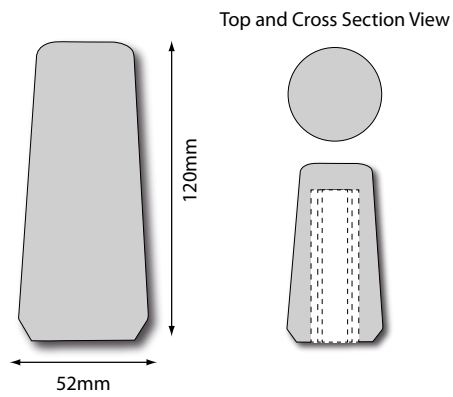
52mm (W) x 120 (H)

Available Bore dia

17mm/20mm/23mm x 100mm deep

Comments

Print can be done for horizontal or vertical use



C3200

Dimensions

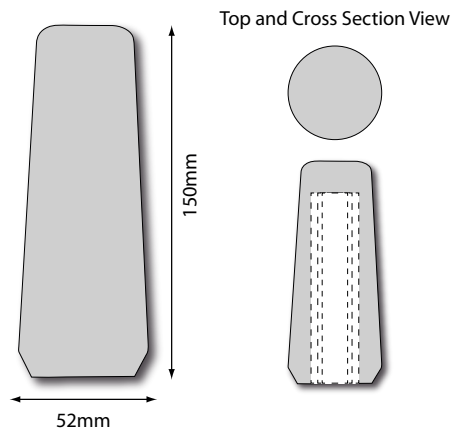
52mm (W) x 150 (H)

Available Bore dia

17mm/20mm/23mm x 120mm deep

Comments

Print can be done for horizontal or vertical use



C3300

Dimensions

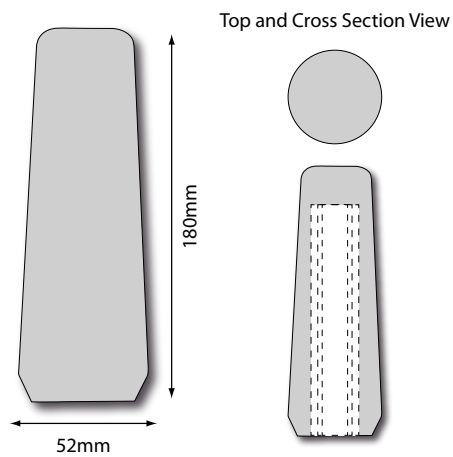
52mm (W) x 180 (H)

Available Bore dia

17mm/20mm/23mm x 150mm deep

Comments

Print can be done for horizontal or vertical use



C3400

Dimensions

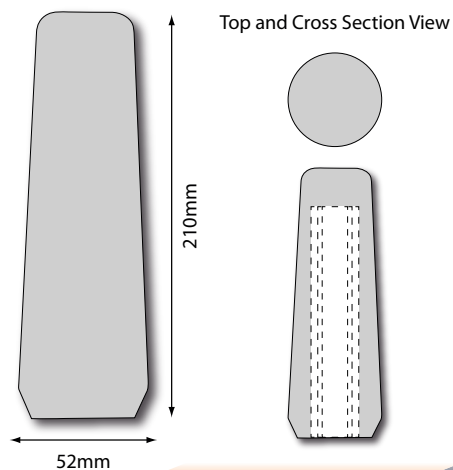
52mm (W) x 210 (H)

Available Bore dia

17mm/20mm/23mm x 180mm deep

Comments

Print can be done for horizontal or vertical use



SHOTGUN STYLE

T3100

Dimensions

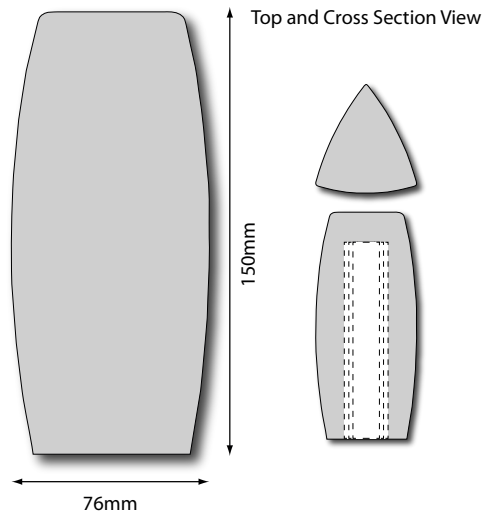
76mm (W) x 150mm (H)

Available Bore dia

17mm/23mm/30mm x 120mm deep

Comments

Not suitable for reporter style large diameter head microphones



T3200

Dimensions

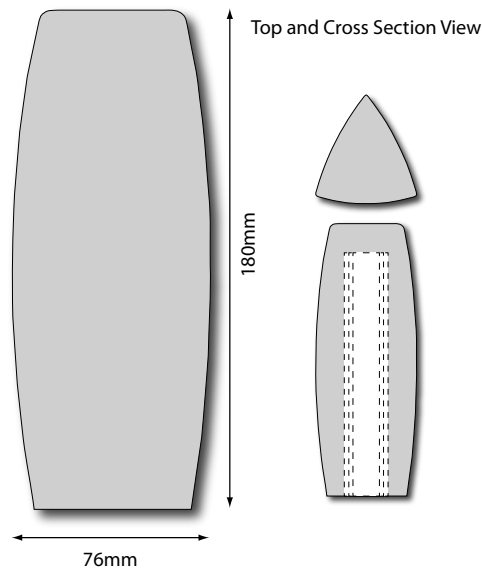
76mm (W) x 180mm (H)

Available Bore dia

17mm/23mm/30mm x 150mm deep

Comments

Not suitable for reporter style large diameter head microphones



T3300

Dimensions

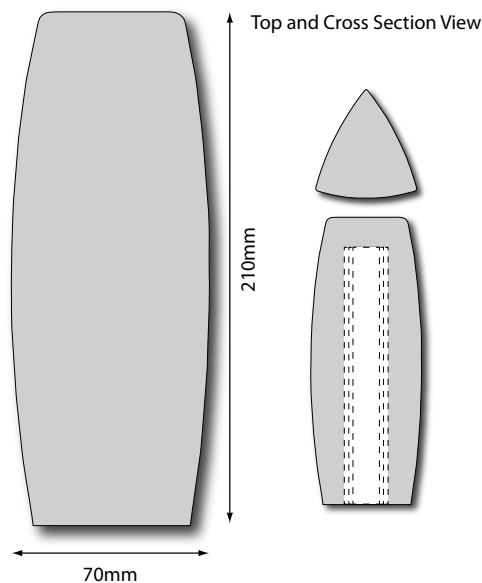
70mm (W) x 210mm (H)

Available Bore dia

17mm/23mm/30mm x 180mm deep

Comments

Not suitable for reporter style large diameter head microphones



SHOTGUN STYLE

S3100

Dimensions

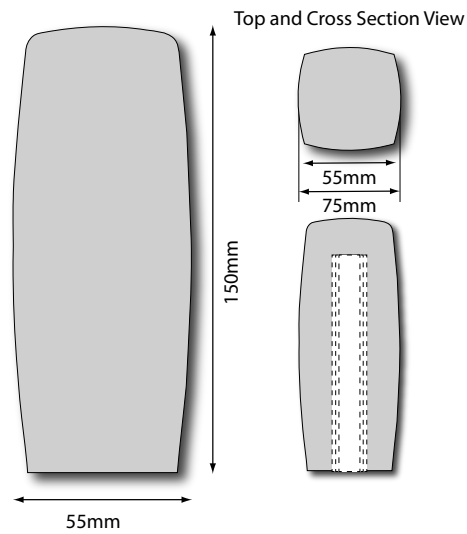
75mm (W) x 150mm (H)
Face width 55mm

Available Bore dia

17mm/23mm/30mm x 120mm deep

Comments

Not suitable for reporter style large diameter head microphones



S3200

Dimensions

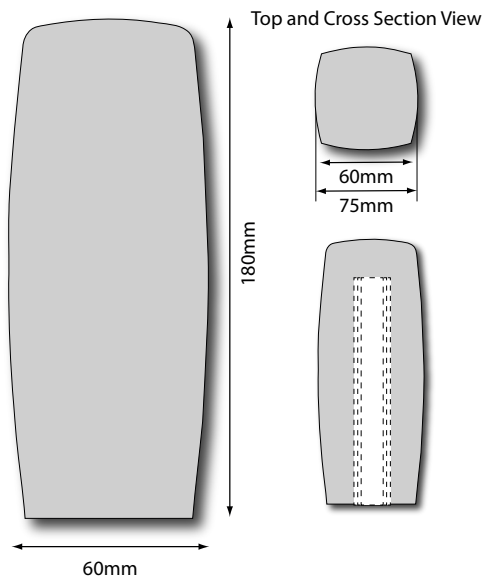
75mm (W) x 180mm (H)
Face width 60mm

Available Bore dia

17mm/23mm/30mm x 150mm deep

Comments

Not suitable for reporter style large diameter head microphones



S3300

Dimensions

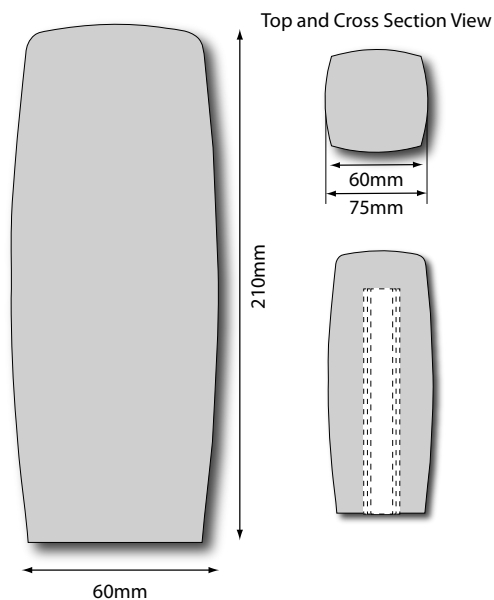
75mm (W) x 210mm (H)
Face width 60mm

Available Bore dia

17mm/23mm/30mm x 180mm deep

Comments

Not suitable for reporter style large diameter head microphones



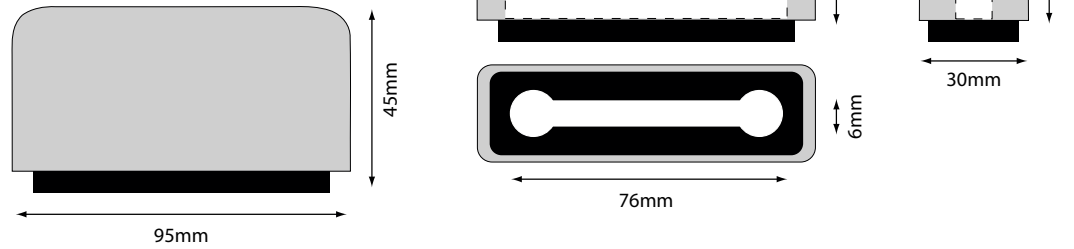
MOBILE REPORTER STYLE

iWS

Dimensions

95mm (W) x 45mm (H)

Dedicated for use with
iPhone models: 6/7/8 Plus Series
iPhone models: XR/XS/11/12

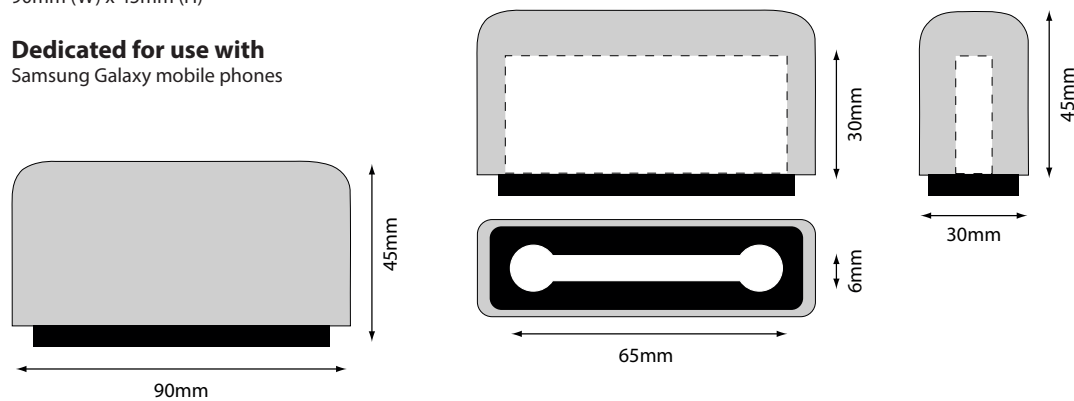


SWS

Dimensions

90mm (W) x 45mm (H)

Dedicated for use with
Samsung Galaxy mobile phones

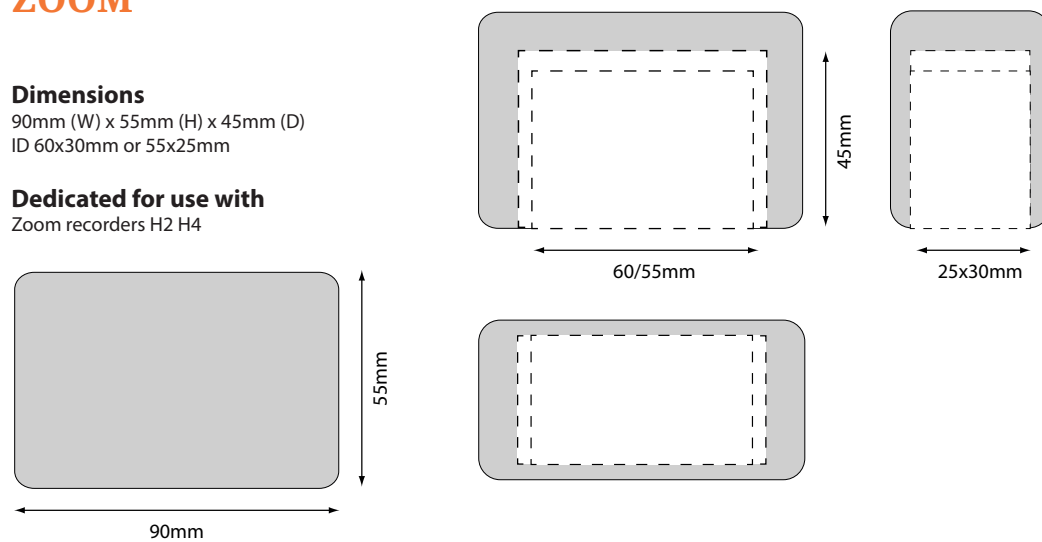


ZOOM

Dimensions

90mm (W) x 55mm (H) x 45mm (D)
ID 60x30mm or 55x25mm

Dedicated for use with
Zoom recorders H2 H4



OTHER

T-Flag

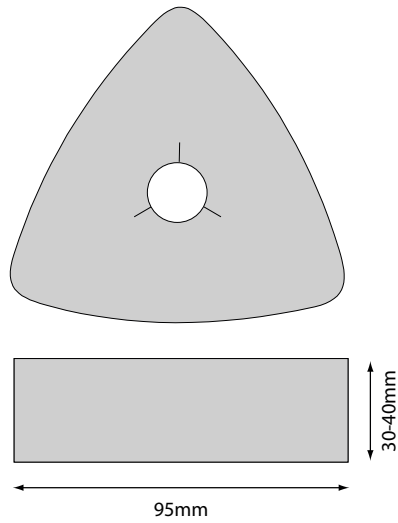
Dimensions

95mm (W) x 30-40mm (H)

Available Bore dia

23mm

Comments



S-Flag

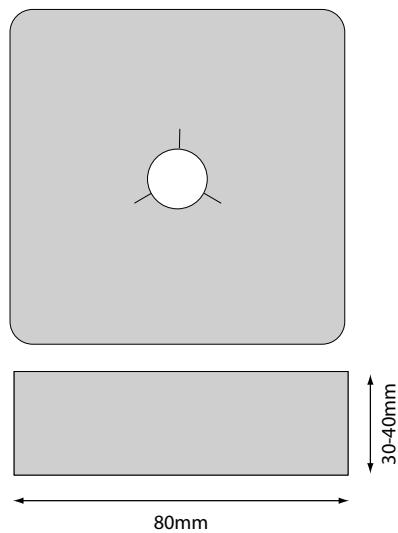
Dimensions

80mm (W) x 30-40mm (H)

Available Bore dia

23mm

Comments



C-Flag

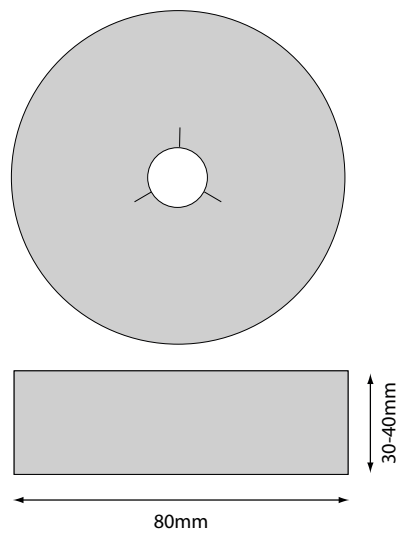
Dimensions

80mm (W) x 30-40mm (H)

Available Bore dia

23mm

Comments



MISCELLANEOUS

HEADSETS FCWS

Dimensions

Various sizes available from 15x20mm

Available Bore dia

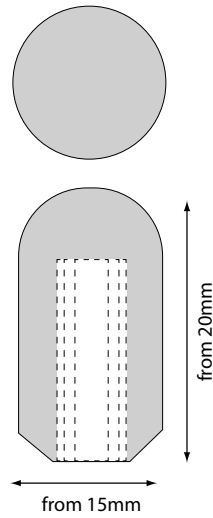
Ø 5/7/10mm

Special Bores

Special bores available on request

Comments

Depending on type of artwork, branding can be done on both sides or one side only



BESPOKE

We like to be challenged with new shapes and special requests and have extensive portfolio of bespoke gimmiky shapes.